
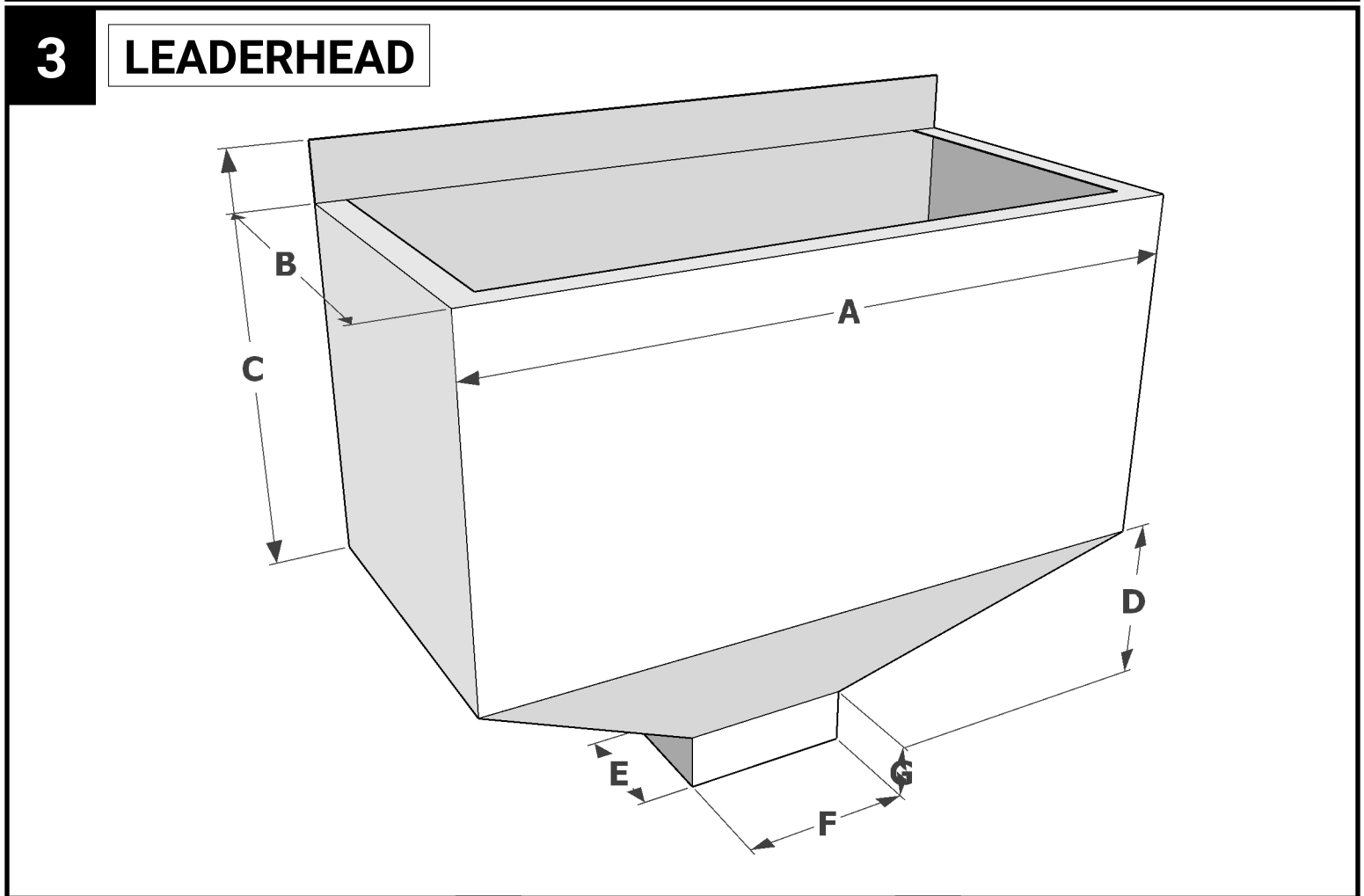


1	COMPANY NAME:		
	JOB PO# :	DATE ORDER PLACED:	
	ORDER PLACED BY:		
	PICK-UP CONTACT PHONE # :		

2	CUSTOMER MATERIAL SUPPLIED? YES / NO
	MATERIAL COLOR:
	MATERIAL GAUGE:
	FINISH TYPE:
	NUMBER OF PIECES:



PLEASE ENTER ALL REQUIRED DIMENSIONS:		C		F	
A		D		G	
B		E			

CUSTOMER APPROVAL SIGNATURE: X _____

ATTENTION: All orders are made to customer specifications. Matrix Metalworks LV is not liable for incorrect fabrication due to customer errors.